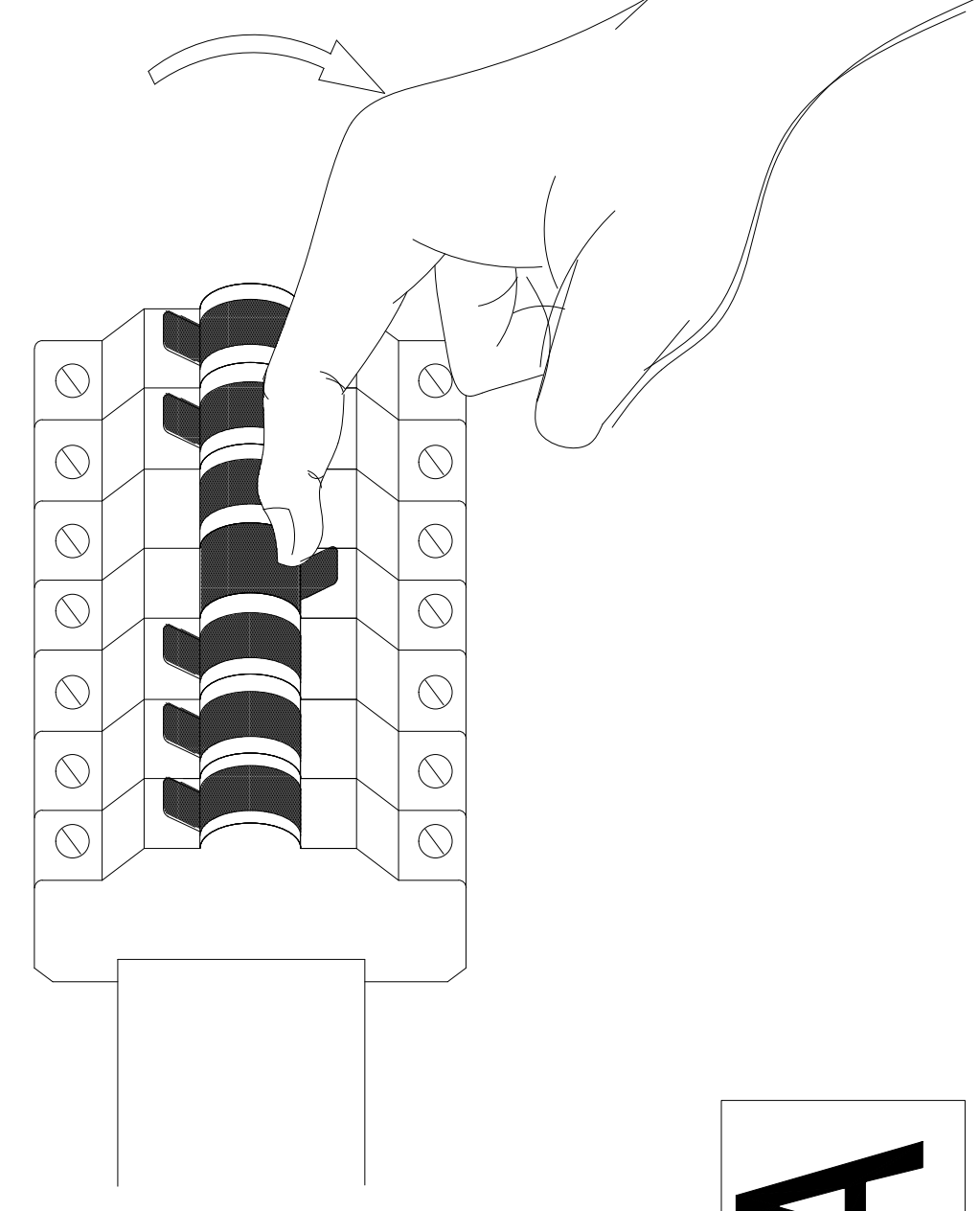
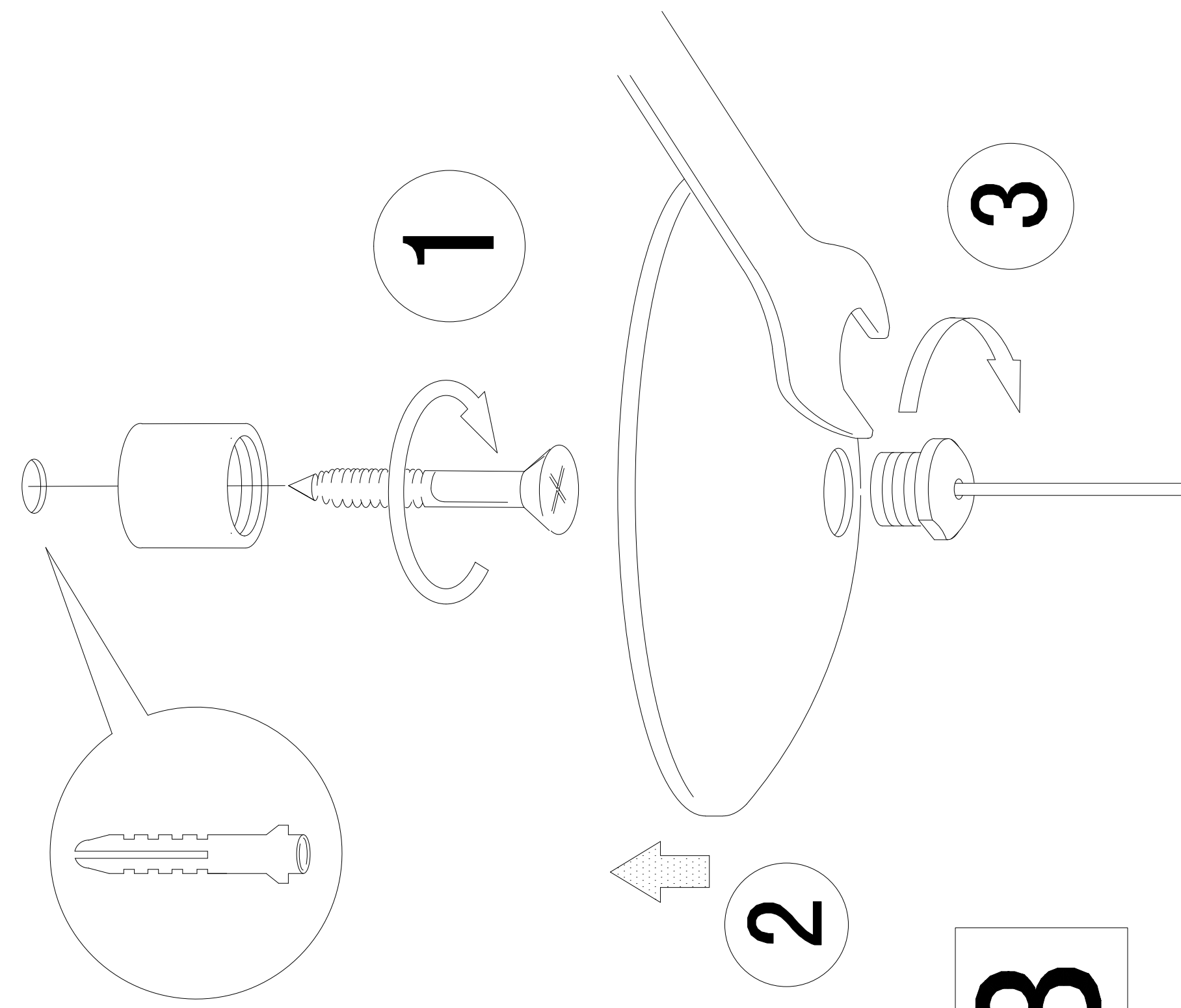
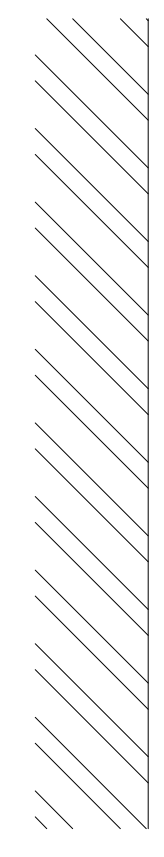


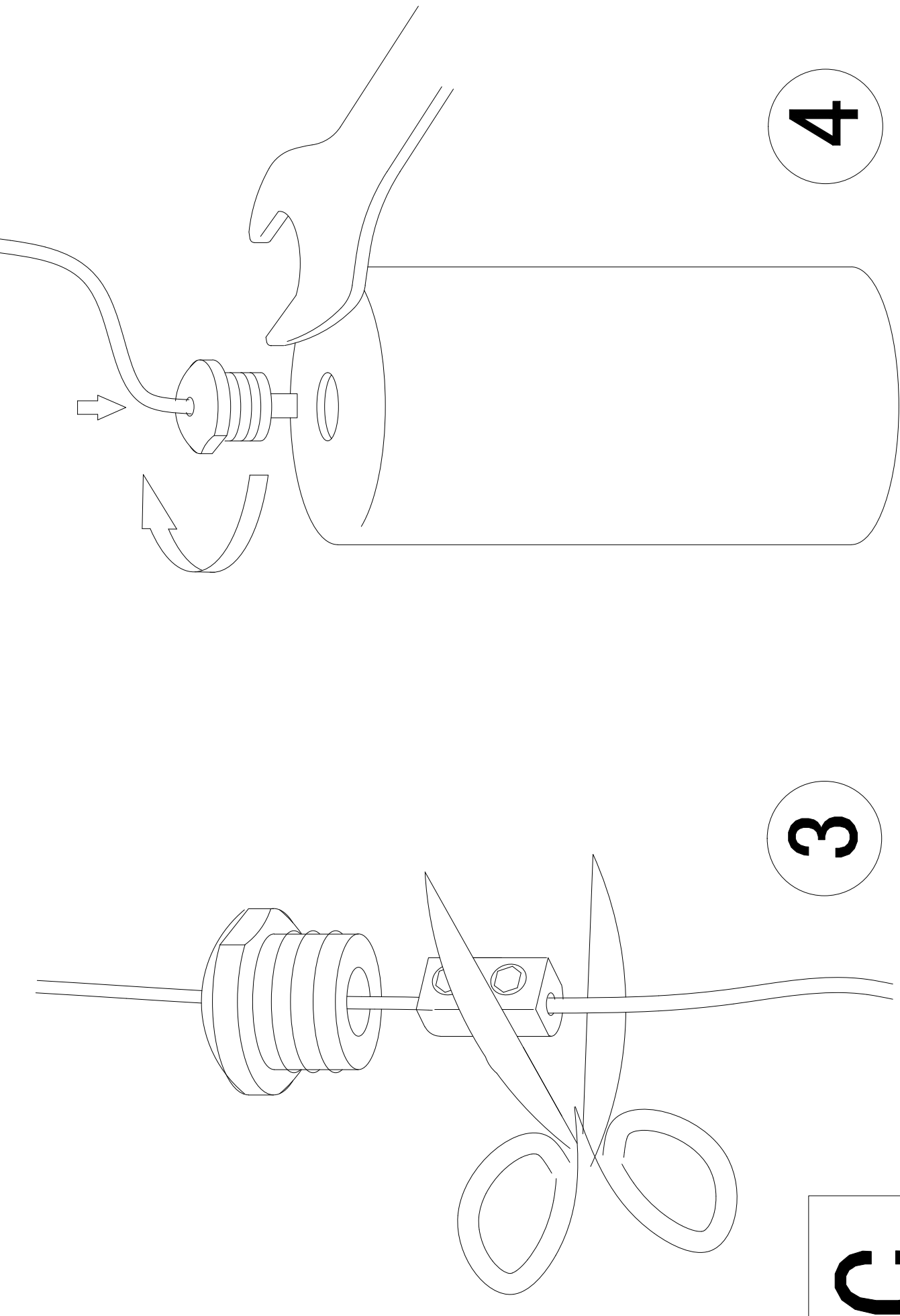
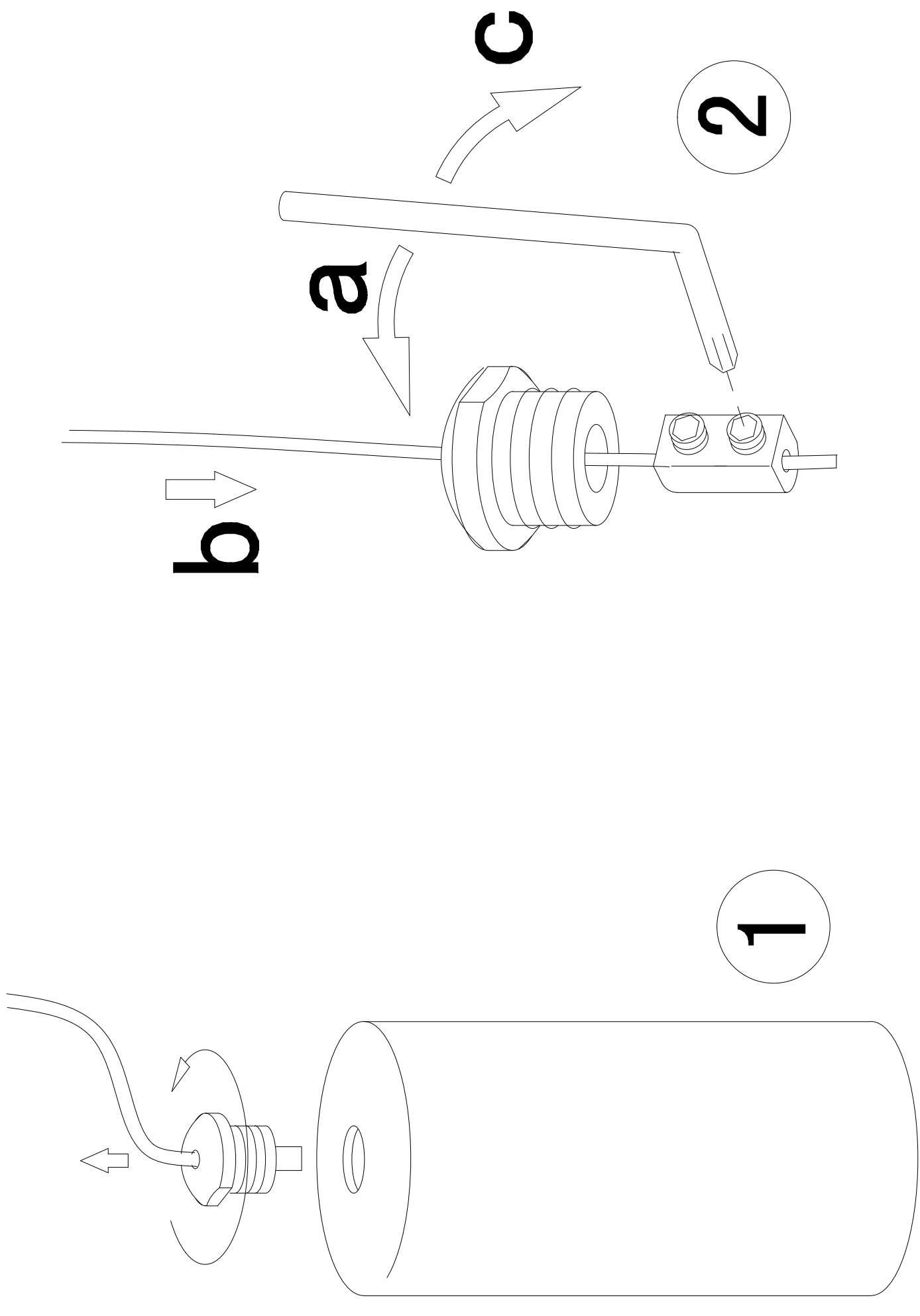
OFF



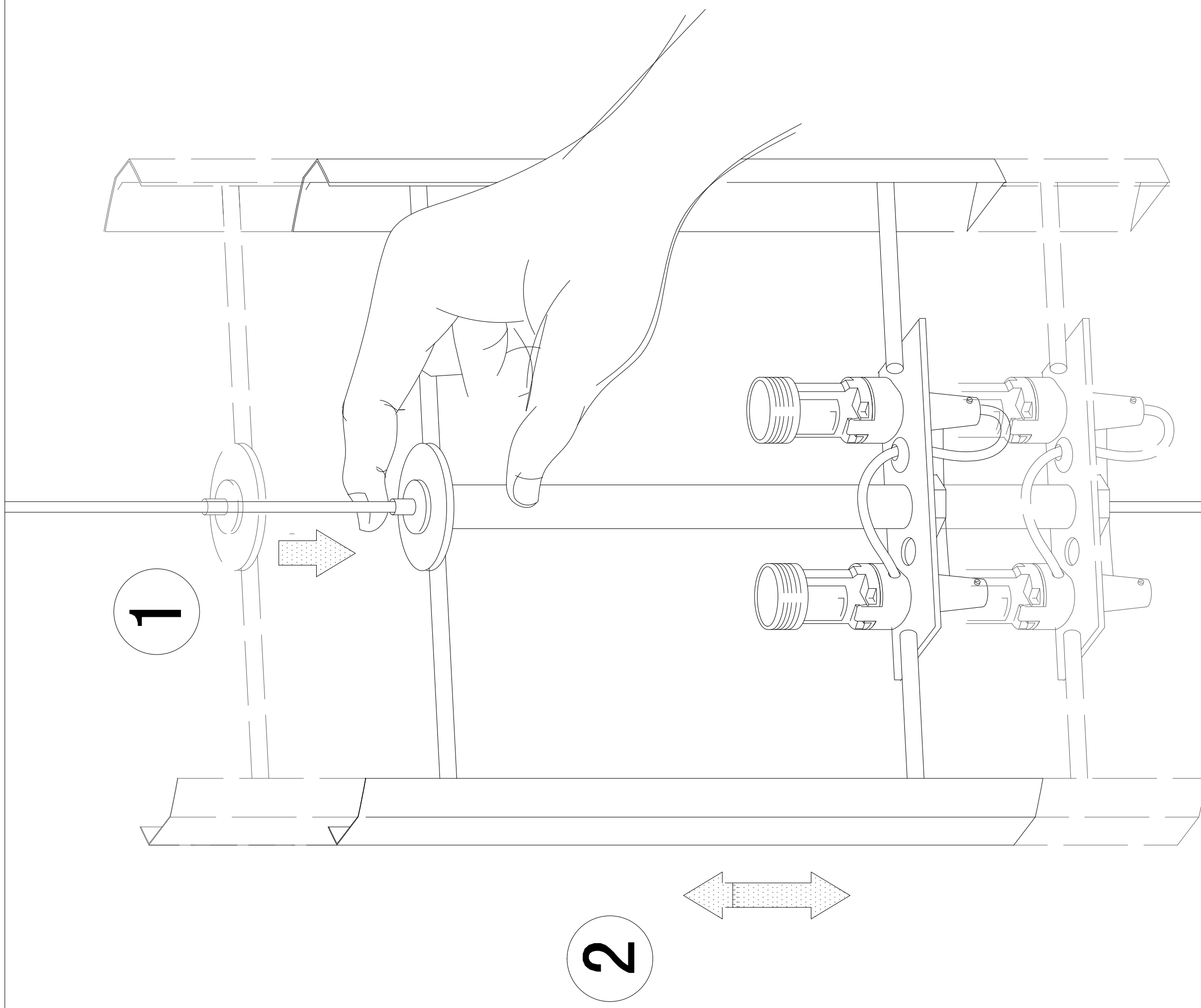
A



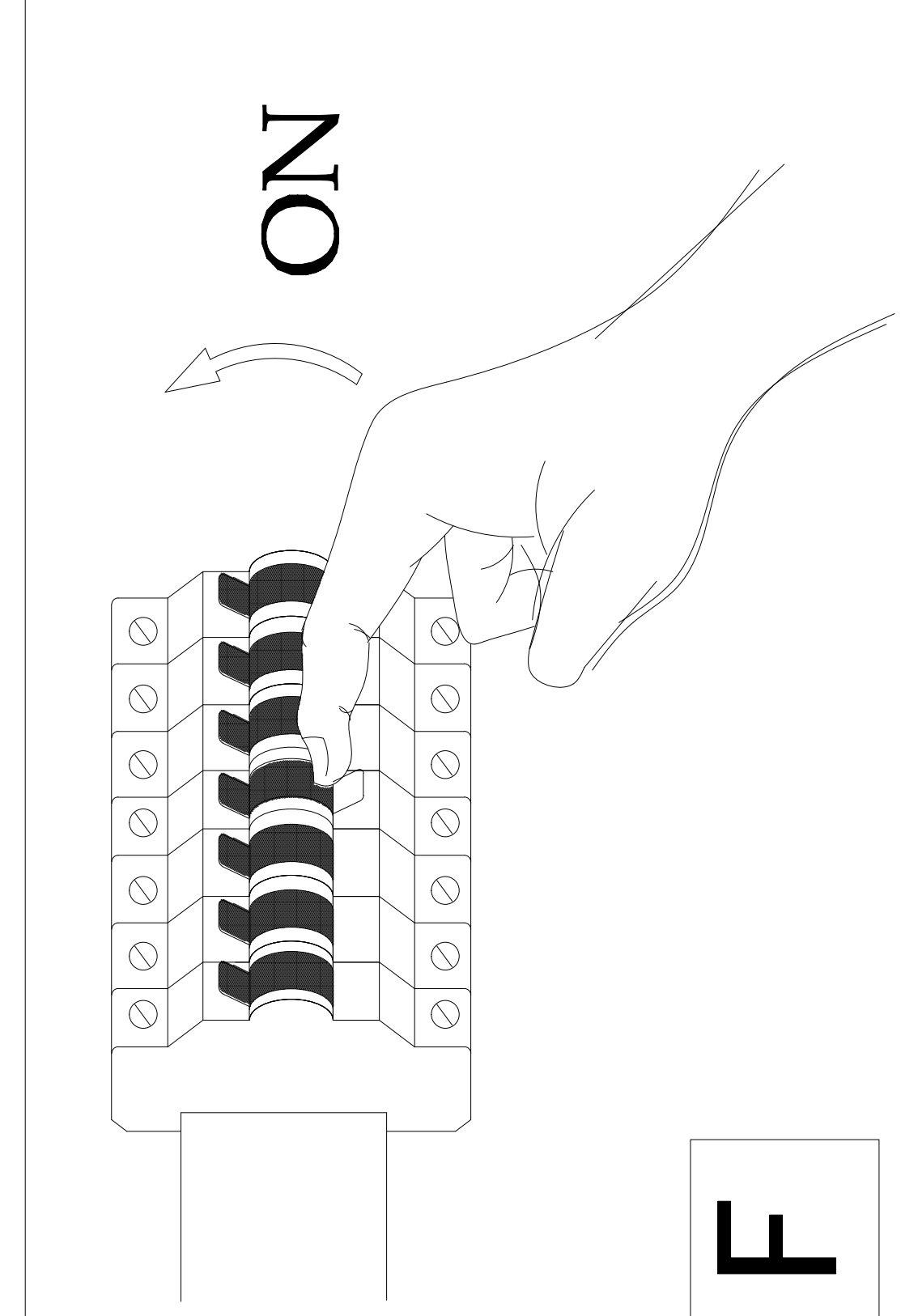
B



C

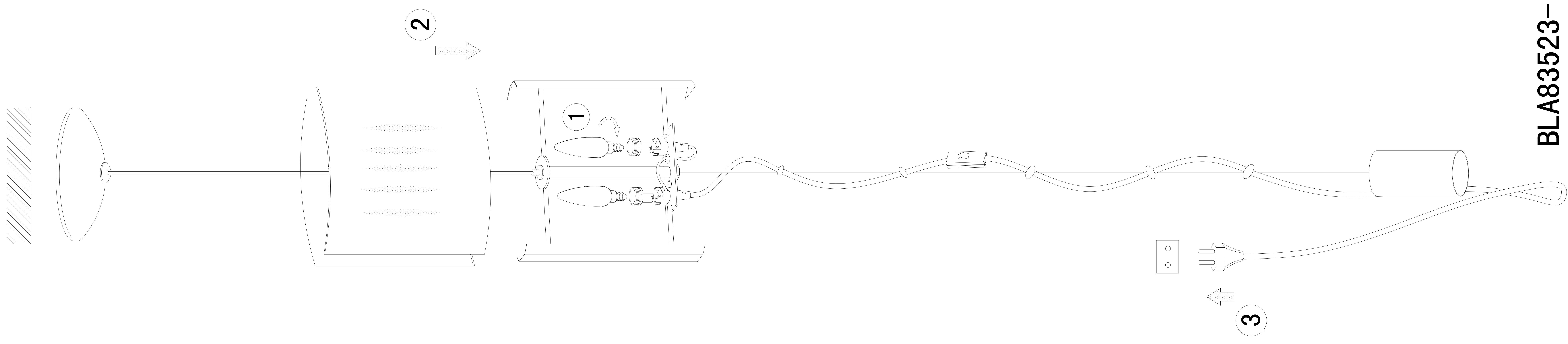


D



F

E



BLA83523-1